

## SPECIAL INSTRUCTIONS

- Retain these instructions for future reference; ensure that other users of the accessories are familiar with their contents.
- Your roof bar systems maximum recommended load must not be exceeded, and the vehicle manufacturer's directions as to maximum recommended load must be observed (This can be found in the vehicle's owner's handbook).
- Maximum load = the weight of the Pipe Tube + the weight of the load.
- If heavy loads are being carried, load to one side of the bar, not the middle. Where specialised accessories are available, they should be used (e.g. ladder Clamps, etc).
- Before driving and at regular intervals during your journey, check that all securing screws, and clamping devices are fully tightened in accordance with these instructions.
- Always ensure that the Pipe Tube end caps are fully closed and latches are engaged and locked before driving.
- When using the bars and/or accessories, especially when carrying a load, the driving characteristics of your vehicle will change. Driving techniques should be altered to allow for this. Reduce speeds and allow longer braking distances.
- When fitted, the roof bars and accessories will affect your fuel economy, therefore please remove when not in use.
- Neither the roof bars, accessories nor load must project beyond the maximum profile of the vehicle. Refer to Road Traffic Act regulations for further detail.
- Ensure the roof bars and any accessories are maintained and kept in good working order.
- Take care not to drive in low roof places such as garages or multi-storey car parks when carrying a high load.
- Do not put the vehicle through an automatic car wash with the Pipe Tube or roof bars mounted.
- The distance between front and rear load bar should be at least 700mm (unless otherwise stated by the vehicle manufacturer).

**MONT BLANC®**

Mont Blanc Industri UK Limited  
Eden Way, Pages Industrial Park, Leighton Buzzard,  
Bedfordshire, LU7 4TZ England  
Telephone: 01525 850800 Fax: 01525 850808  
sales@montblancuk.co.uk www.montblancuk.co.uk

PI503-01

**WORKPRO**

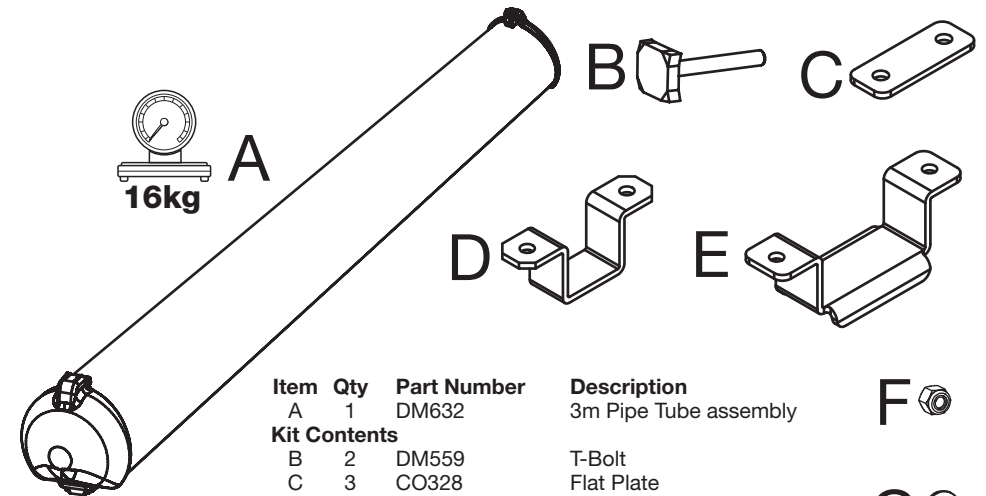
**MONT BLANC®**

**CVA27**

**Lockable 3m Pipe Carrier**

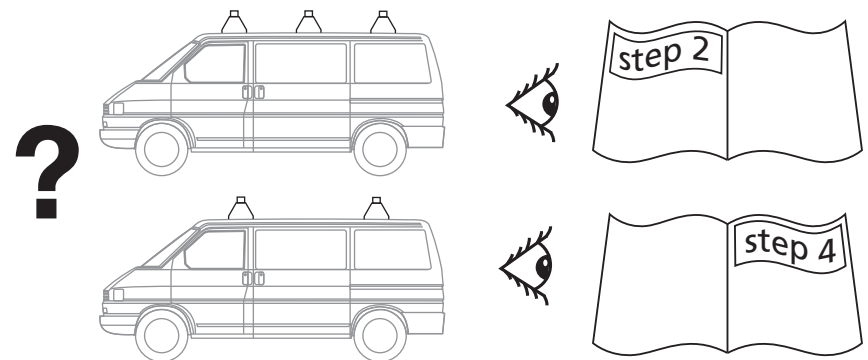
**MAX LOAD 50kg**

## CONTENTS

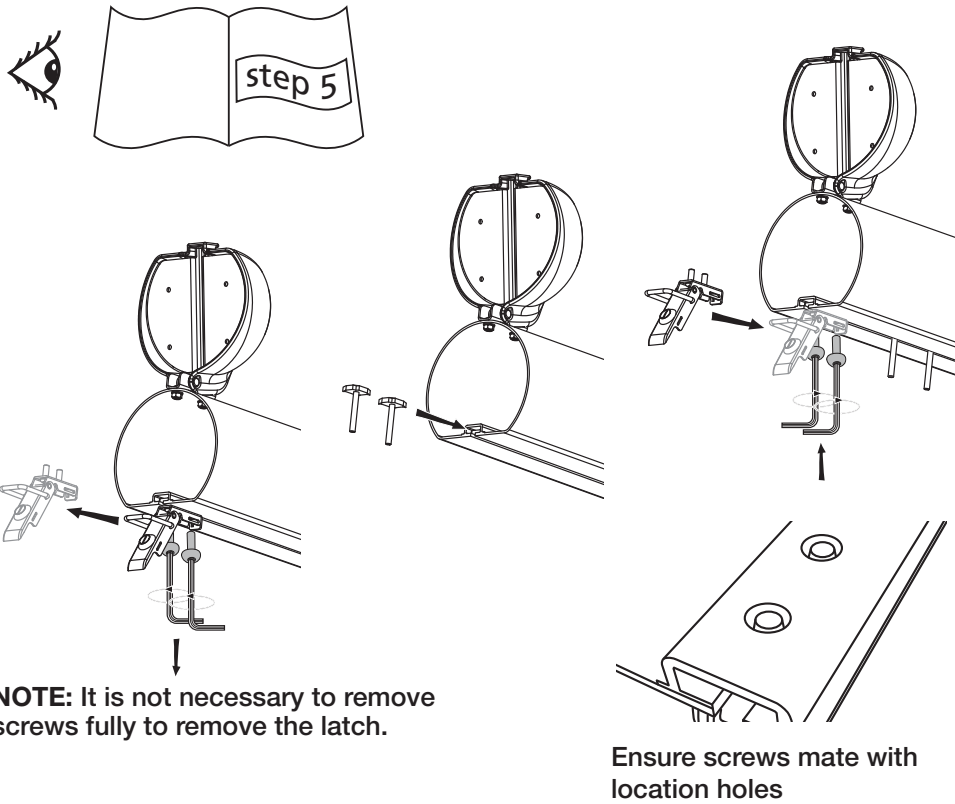


| Item                | Qty | Part Number | Description           |
|---------------------|-----|-------------|-----------------------|
| A                   | 1   | DM632       | 3m Pipe Tube assembly |
| <b>Kit Contents</b> |     |             |                       |
| B                   | 2   | DM559       | T-Bolt                |
| C                   | 3   | CO328       | Flat Plate            |
| D                   | 3   | DM557       | Medium Bracket        |
| E                   | 3   | DM497       | Large Bracket         |
| F                   | 6   | FN004       | Locknut               |
| G                   | 6   | FW012       | Washer                |

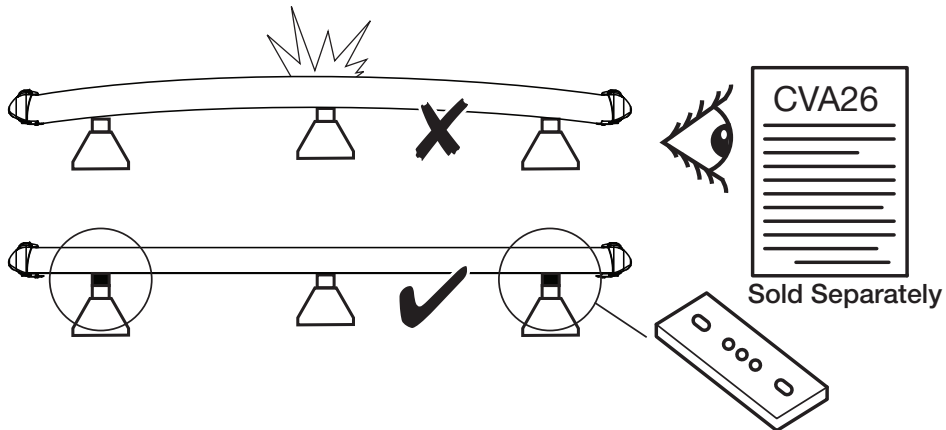
## STEP 1 - Roof Bar Configuration



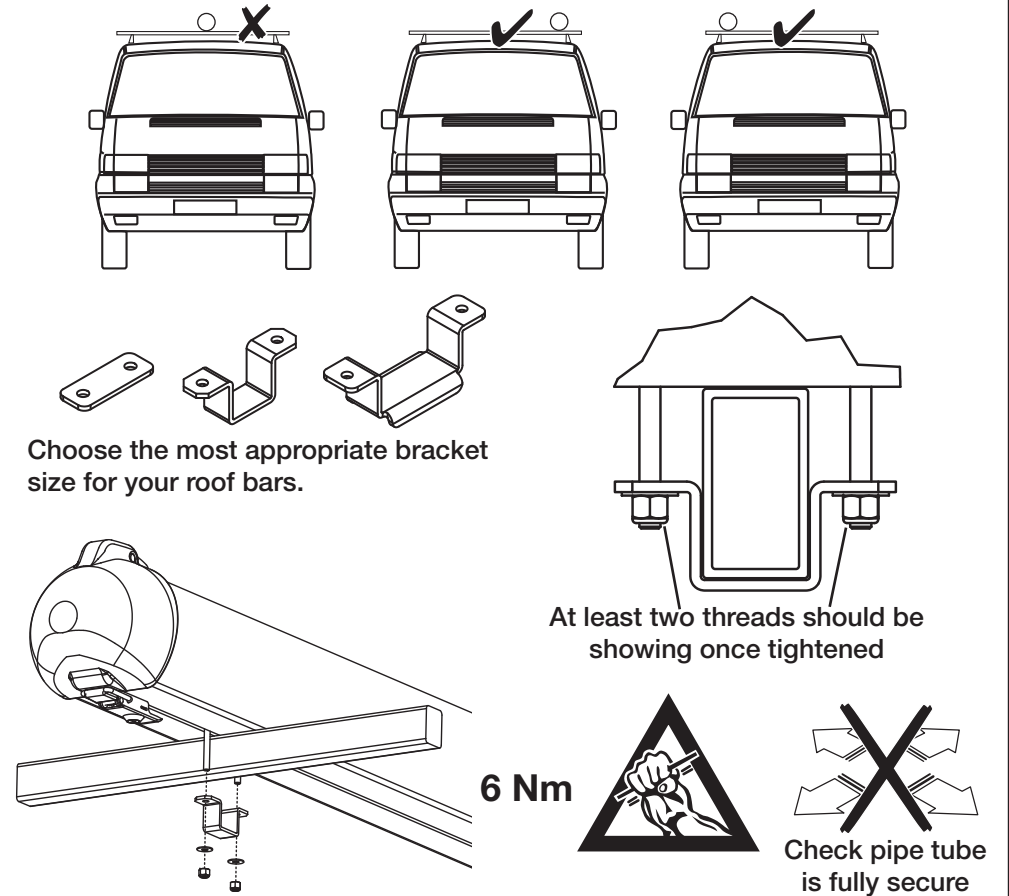
## STEP 2 - Additional Fixings for 3 Bars



## STEP 3 - Bar Levelling for 3 Bars



## STEP 4 - Fitting to Roof Bars



## STEP 5 - Latch Operation

